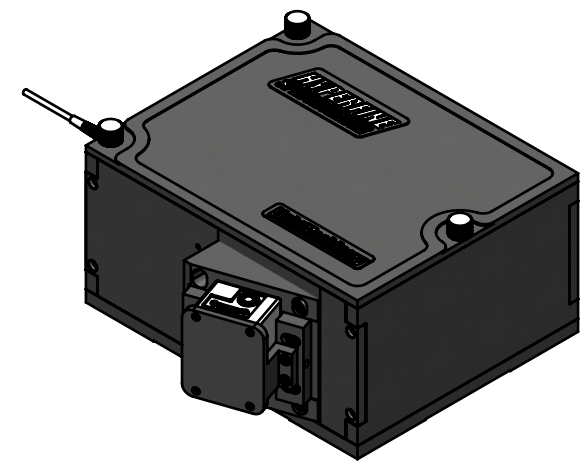
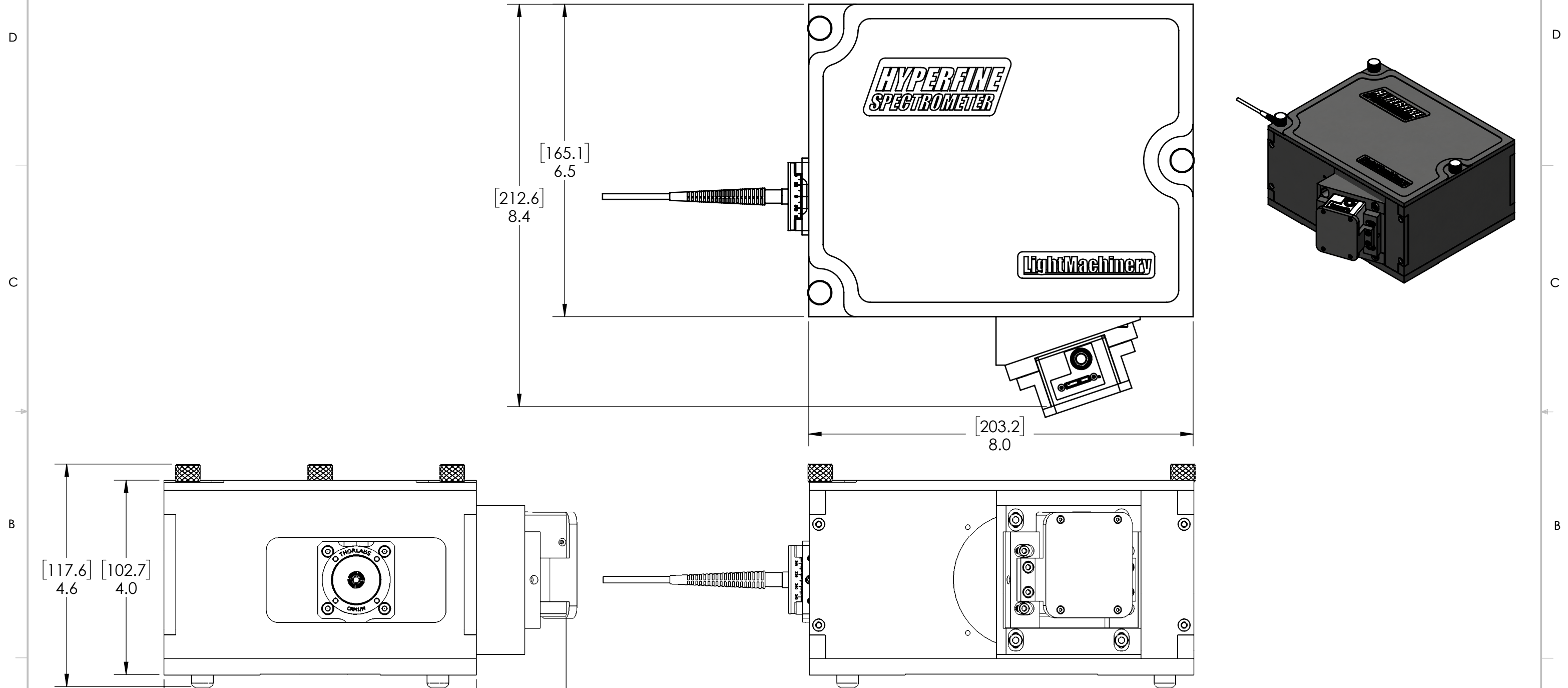


8 7 6 5 4 3 2 1

REVISION HISTORY			
REV	DESCRIPTION	DATE	APP'D
A	INITIAL RELEASE		
B	ECN 11624	APR 2020	BS
C	ECN 11699	JUN 2020	BS



<p>PROPRIETARY AND CONFIDENTIAL</p> <p>THE INFORMATION CONTAINED IN THIS DRAWING IS THE SOLE PROPERTY OF LIGHTMACHINERY. ANY REPRODUCTION IN PART OR AS A WHOLE WITHOUT THE WRITTEN PERMISSION OF LIGHTMACHINERY IS PROHIBITED.</p>	<p>UNLESS OTHERWISE SPECIFIED DIMENSIONS ARE IN INCHES TOLERANCES ARE:</p> <table> <tr> <td>DECIMALS</td> <td>ANGLES</td> </tr> <tr> <td>.X ± .020</td> <td>.X ± .5°</td> </tr> <tr> <td>.XX ± .010</td> <td>.XX ± .01°</td> </tr> <tr> <td>.XXX ± .005</td> <td></td> </tr> </table>	DECIMALS	ANGLES	.X ± .020	.X ± .5°	.XX ± .010	.XX ± .01°	.XXX ± .005		<p>THIRD ANGLE PROJECTION</p> <p>SOLIDWORKS GENERATED DRAWING DO NOT MANUALLY UPDATE</p>	<p>LightMachinery Excellence in lasers and optics 80 COLONNADE RD. NEPEAN, ONTARIO, K2E 7L2, CANADA</p>
	DECIMALS	ANGLES									
	.X ± .020	.X ± .5°									
.XX ± .010	.XX ± .01°										
.XXX ± .005											
<p>MATERIAL AL-6061-T6</p>	<p>APPROVALS</p> <table> <tr> <td>DRAWN BEN SHIM</td> <td>DATE 23-Jan-2020</td> </tr> <tr> <td>CHECKED H.JEAN-RUEL</td> <td></td> </tr> <tr> <td>ENG APPR.</td> <td></td> </tr> </table>	DRAWN BEN SHIM	DATE 23-Jan-2020	CHECKED H.JEAN-RUEL		ENG APPR.		<p>TITLE: HYPERFINE SPECTROMETER 425nm TO 700nm 15-30pm RESOLUTION</p>	<p>SIZE B DWG. NO. HF-9332 REV C</p>		
DRAWN BEN SHIM	DATE 23-Jan-2020										
CHECKED H.JEAN-RUEL											
ENG APPR.											
<p>DO NOT SCALE DRAWING</p>	<p>MFG APPR.</p>	<p>SCALE: 1:2</p>	<p>SHEET 1 OF 8</p>								

8 7 6 5 4 3 2 1