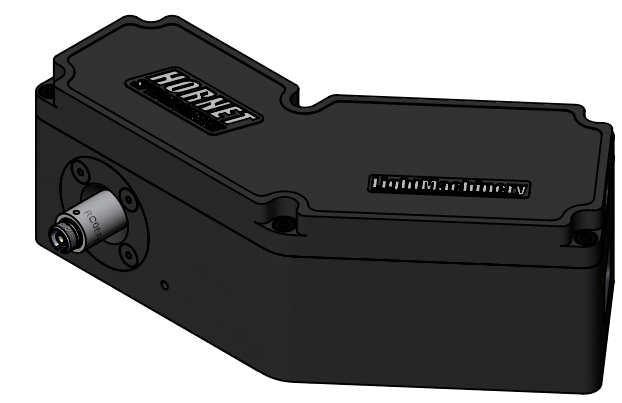
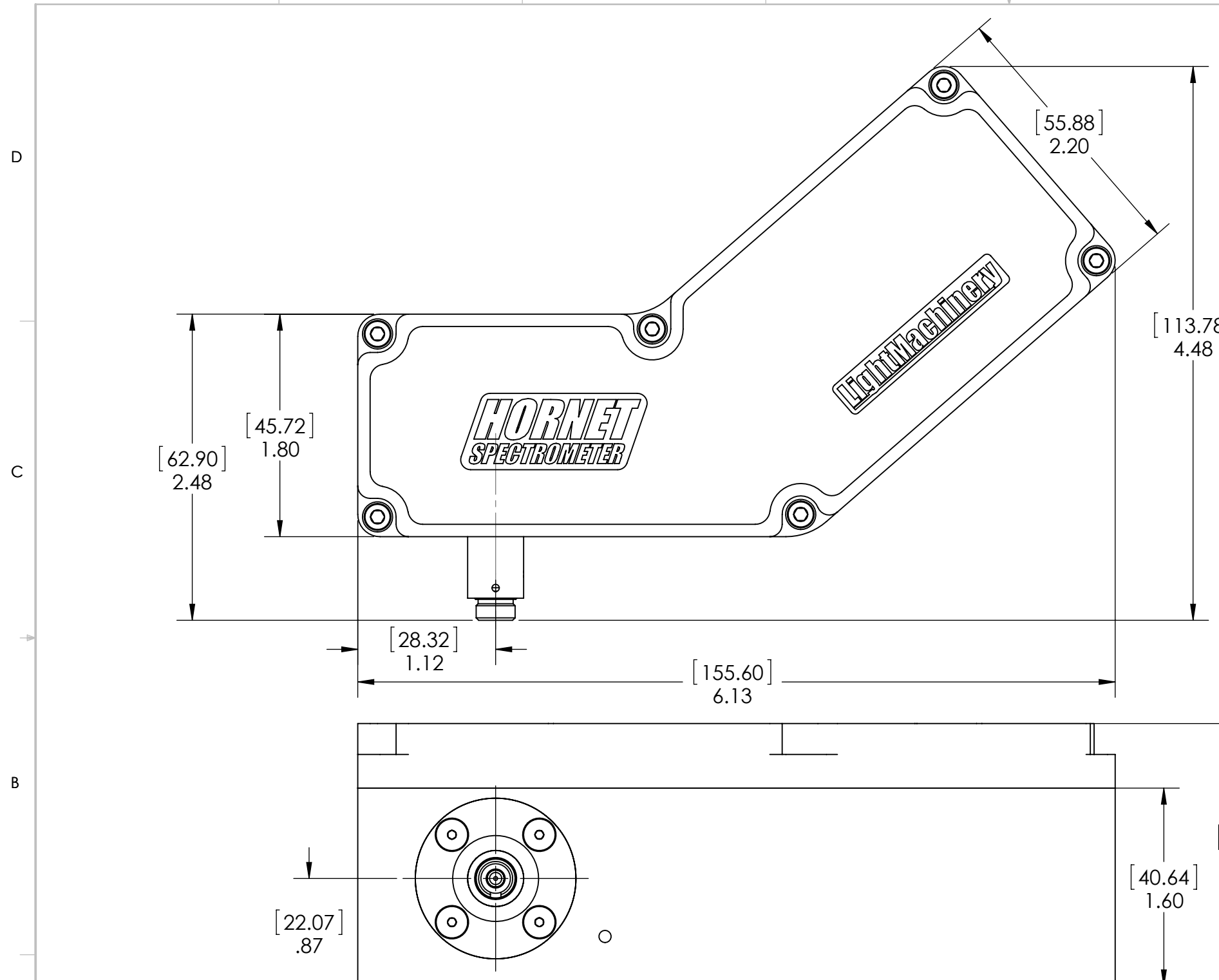


8 7 6 5 4 3 2 1

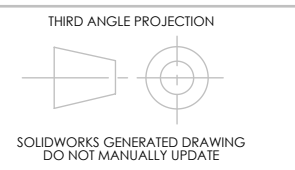
REVISION HISTORY			
REV	DESCRIPTION	DATE	APP'D
A	INITIAL RELEASE		



SCALE 1:2

NOTES:
1. DIMENSIONS IN [] ARE MILLIMETERS.

UNLESS OTHERWISE SPECIFIED
DIMENSIONS ARE IN INCHES
TOLERANCES ARE:
DECIMALS ANGLES
.X ± .020 .X ± .5°
.XX ± .010 .XX ± .01°
.XXX ± .005



LightMachinery
Excellence in lasers and optics
80 COLONNADE RD.
NEPEAN, ONTARIO, K2E 7L2, CANADA

MATERIAL
N/A

FINISH
N/A

DO NOT SCALE DRAWING

APPROVALS		DATE
DRAWN BEN J. SHIM		15-NOV-2017
CHECKED A. NASIOROWSKI		
MFG APPR.		

TITLE:
**HORNET SPECTROMETER, 30pm,
FROM 425NM TO 720NM**

SIZE **B** DWG. NO. **HN-9332** REV **A**

SCALE: 1:1 SHEET 1 OF 1

PROPRIETARY AND CONFIDENTIAL
THE INFORMATION CONTAINED IN THIS
DRAWING IS THE SOLE PROPERTY OF
LIGHTMACHINERY. ANY REPRODUCTION IN
PART OR AS A WHOLE WITHOUT THE
WRITTEN PERMISSION OF LIGHTMACHINERY
IS PROHIBITED.

8 7 6 5 4 3 2 1