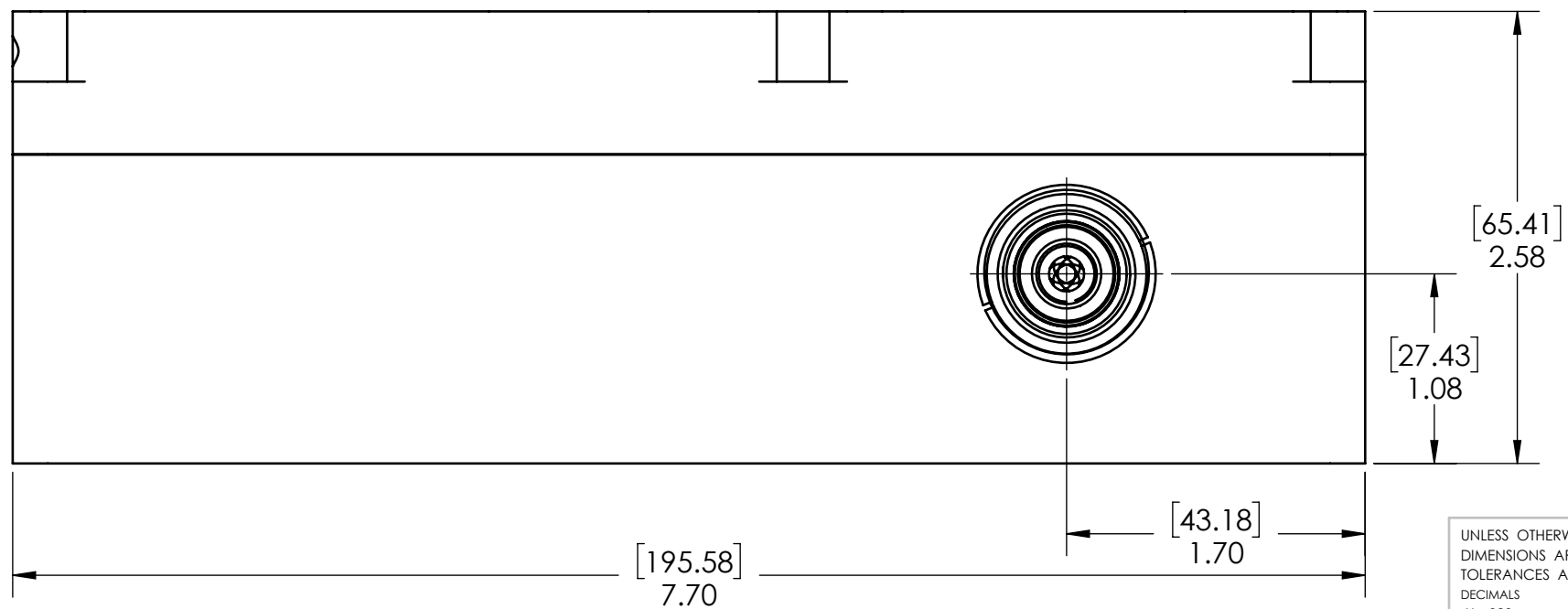
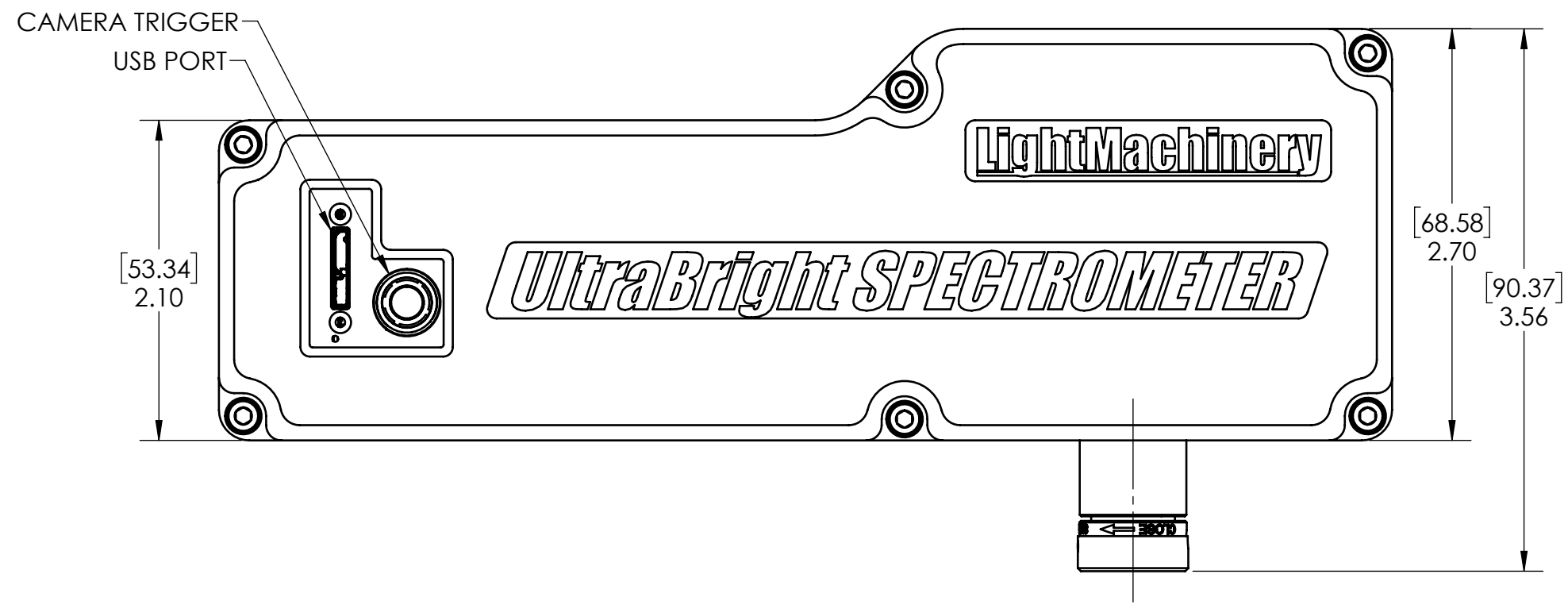


REVISION HISTORY			
REV	DESCRIPTION	DATE	APP'D
A	INITIAL RELEASE		



NOTES:
1. DIMENSIONS IN [] ARE MILLIMETERS.

PROPRIETARY AND CONFIDENTIAL
THE INFORMATION CONTAINED IN THIS DRAWING IS THE SOLE PROPERTY OF LIGHTMACHINERY. ANY REPRODUCTION IN PART OR AS A WHOLE WITHOUT THE WRITTEN PERMISSION OF LIGHTMACHINERY IS PROHIBITED.

UNLESS OTHERWISE SPECIFIED DIMENSIONS ARE IN INCHES TOLERANCES ARE:
DECIMALS .X ± .020
.XX ± .010
.XXX ± .005
ANGLES .X ± .5°
.XX ± .01°

THIRD ANGLE PROJECTION
SOLIDWORKS GENERATED DRAWING
DO NOT MANUALLY UPDATE

LightMachinery
Excellence in lasers and optics
80 COLONNADE RD.
NEPEAN, ONTARIO, K2E 7L2, CANADA

MATERIAL
N/A
FINISH
N/A
DO NOT SCALE DRAWING

APPROVALS	DATE
DRAWN BEN J. SHIM	Dec-20-2018
CHECKED A.NASIOROWSKI ENG APPR.	
MFG APPR.	

TITLE:
ULTRABRIGHT SPECTROMETER 590-750nm

SIZE B	DWG. NO. UB-10849	REV A
------------------	-----------------------------	-----------------

SCALE: 1:1 SHEET 1 OF 1