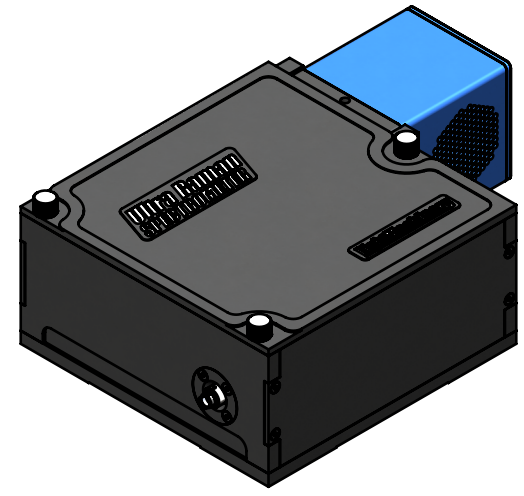
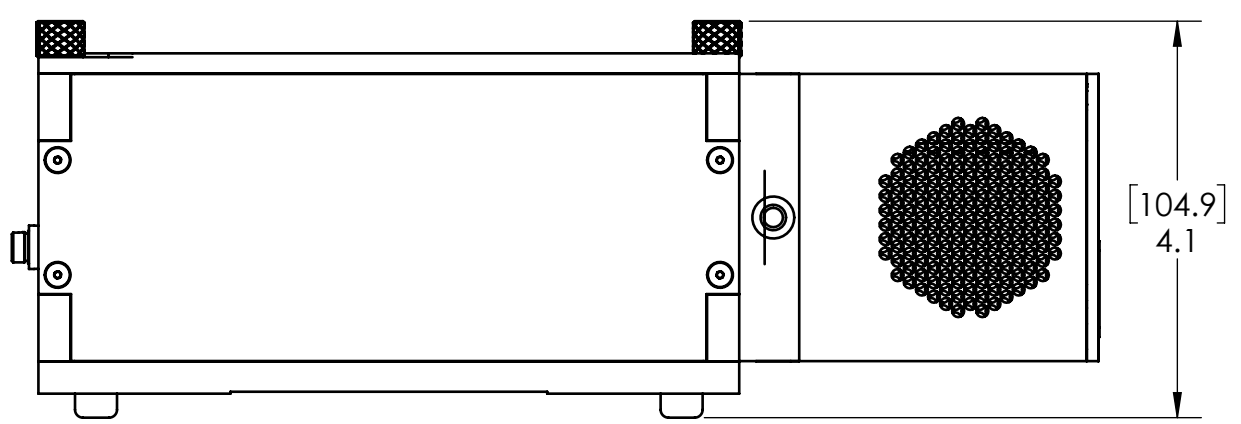
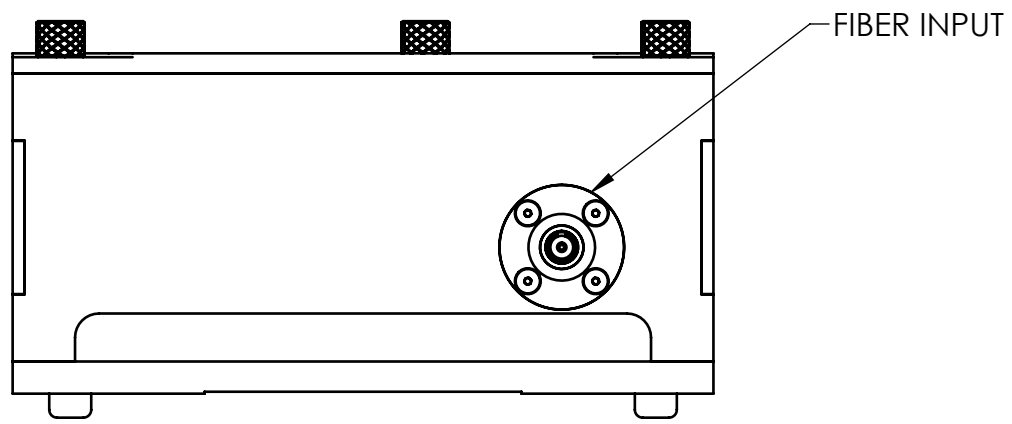
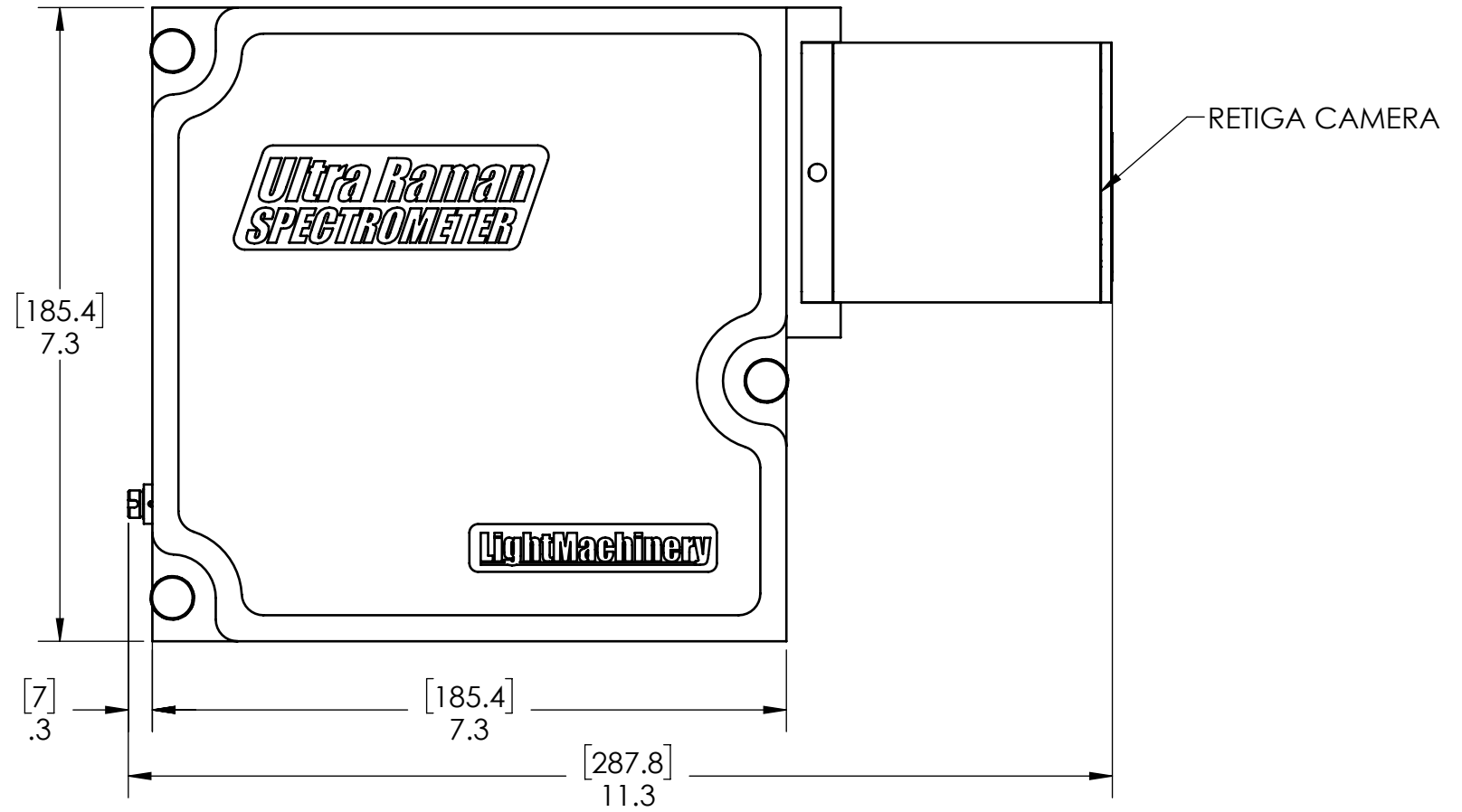


8 7 6 5 4 3 2 1

REVISION HISTORY			
REV	DESCRIPTION	DATE	APP'D
A	INITIAL RELEASE		

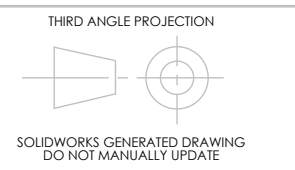


SCALE 1:4



NOTES:
1. DIMENSIONS IN [] ARE MILLIMETERS.

UNLESS OTHERWISE SPECIFIED
DIMENSIONS ARE IN INCHES
TOLERANCES ARE:
DECIMALS .X ± .020
.XX ± .010
.XXX ± .005
ANGLES .X ± .5°
.XX ± .01°



LightMachinery
Excellence in lasers and optics
80 COLONNADE RD.
NEPEAN, ONTARIO, K2E 7L2, CANADA

MATERIAL
N/A

FINISH
N/A

DO NOT SCALE DRAWING

APPROVALS
DRAWN BEN J. SHIM
CHECKED A. NASIOROWSKI
ENG APPR.

DATE
JAN-11-2019
MFG APPR.

TITLE:
**Ultra Raman SPECTROMETER
450 - 700nm**

SIZE **B** DWG. NO. **UR-9342** REV **A**

SCALE: 1:2 SHEET 1 OF 1

PROPRIETARY AND CONFIDENTIAL
THE INFORMATION CONTAINED IN THIS
DRAWING IS THE SOLE PROPERTY OF
LIGHTMACHINERY. ANY REPRODUCTION IN
PART OR AS A WHOLE WITHOUT THE
WRITTEN PERMISSION OF LIGHTMACHINERY
IS PROHIBITED.

8 7 6 5 4 3 2 1