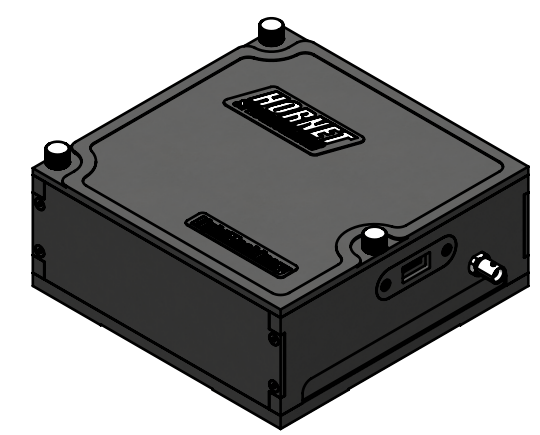
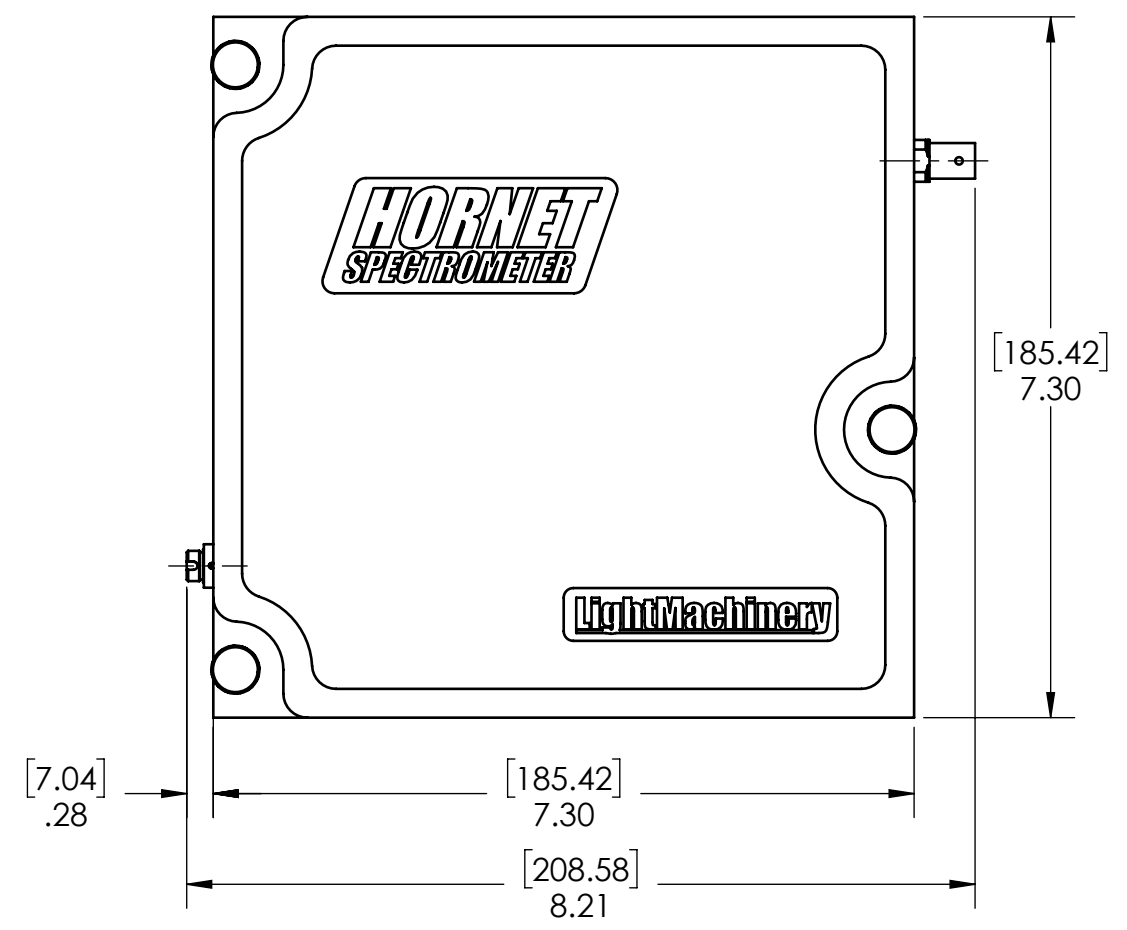
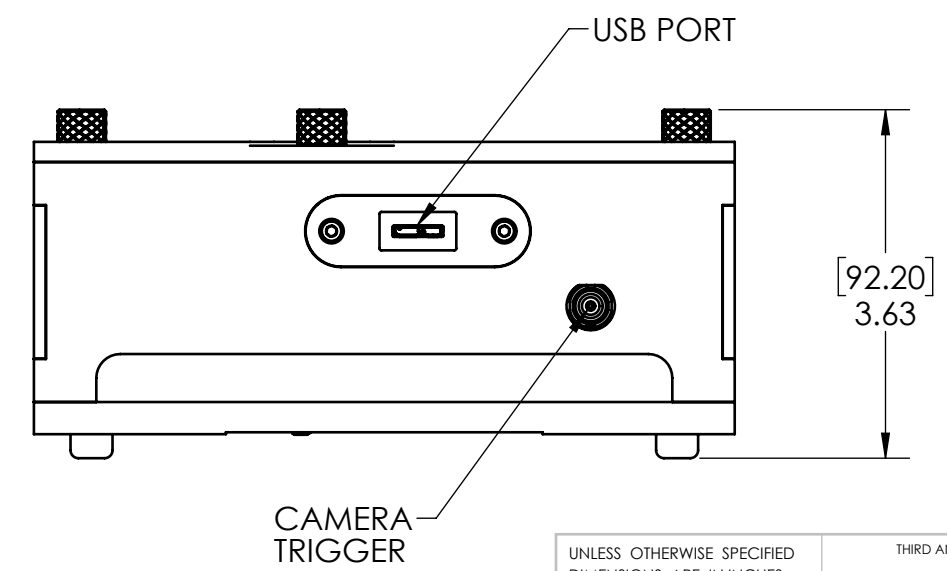
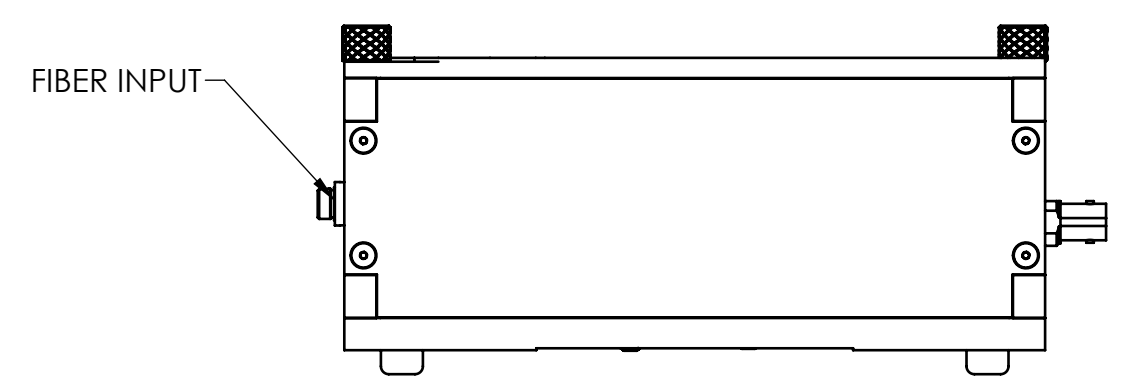


REVISION HISTORY			
REV	DESCRIPTION	DATE	APP'D
A	INITIAL RELEASE		
B	ECN 10238	MAR 2018	BJS
C	ECN 10315	APR 2018	BJS



SCAEL 1:4



NOTES:
1. DIMENSIONS IN [] ARE MILLIMETERS.

PROPRIETARY AND CONFIDENTIAL
THE INFORMATION CONTAINED IN THIS DRAWING IS THE SOLE PROPERTY OF LIGHTMACHINERY. ANY REPRODUCTION IN PART OR AS A WHOLE WITHOUT THE WRITTEN PERMISSION OF LIGHTMACHINERY IS PROHIBITED.

UNLESS OTHERWISE SPECIFIED DIMENSIONS ARE IN INCHES TOLERANCES ARE:
DECIMALS .X ± .020
.XX ± .010
.XXX ± .005
ANGLES .X ± .5°
.XX ± .01°

THIRD ANGLE PROJECTION
SOLIDWORKS GENERATED DRAWING
DO NOT MANUALLY UPDATE

LightMachinery
Excellence in lasers and optics
80 COLONNADE RD.
NEPEAN, ONTARIO, K2E 7L2, CANADA

MATERIAL N/A	APPROVALS		DATE
FINISH N/A	DRAWN BEN J. SHIM	Nov-26-2018	
DO NOT SCALE DRAWING	CHECKED A.NASIOROWSKI	ENG APPR.	
	MFG APPR.		

TITLE: HORNET 530-534nm AND 1060-1068nm		
SIZE B	DWG. NO. HN-9352	REV C
SCALE: 1:2		SHEET 1 OF 1