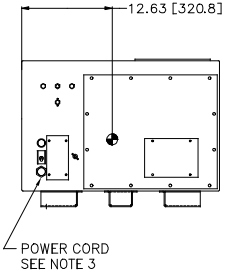
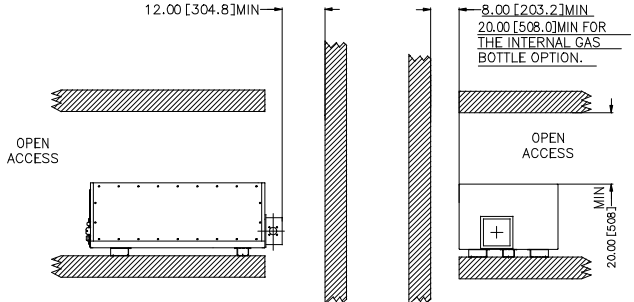
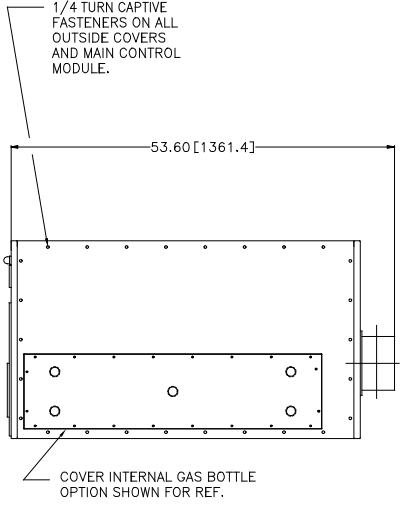


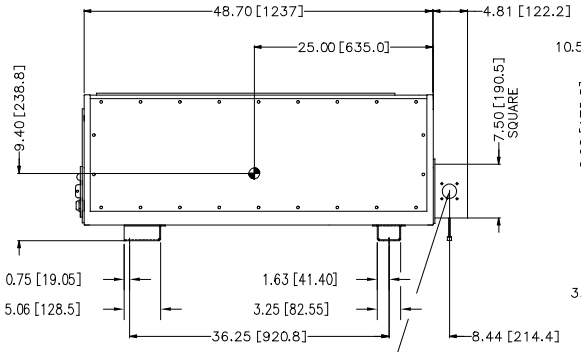
LASER REMOTE CONTROL UNIT
NOT TO SCALE



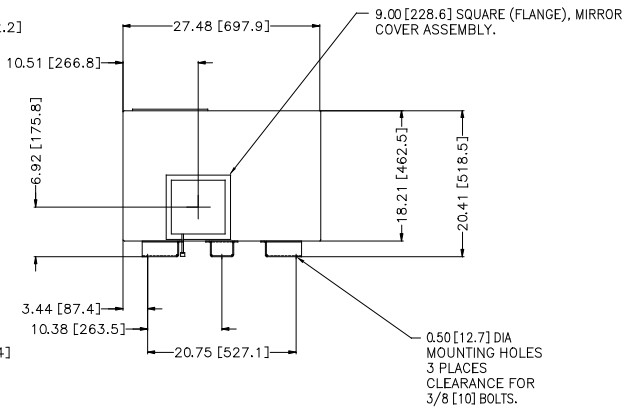
- 6. DIMS SHOWN ARE IN INCHES IN BRACKETS MILIMETERS.
 - 5. APPROX LOCATION OF CENTER OF GRAVITY (CG).
 - 4. INTERNAL GAS BOTTLE OPTION SHOWN FOR REF. ONLY.
 - 3. FOR DETAILED INSTALLATION DATA REFER TO PRE-INSTALLATION MANUAL NO. 760PRE950
 - 2. THIRD ANGLE PROJECTION.
 - 1. APPROXIMATE WEIGHT OF LASER, 316 LB [144 KG.]
APPROXIMATE WEIGHT OF LASER CONTROL, 12 LB [5.5 KG.]
- NOTES:



MIN SERVICE SPACE REQUIREMENTS
NOT TO SCALE



LASER WILL ACCEPT BEAM STEERING ASSEMBLY TYPE BD-31 AND BD-131. BEAM STOP FUNCTION IS INCLUDED IN THE MIRROR COVER ASSEMBLY



F RELEASE OF LIGHTMACHINERY DRAWING OCT 8, 2009 EW	
ZONE REV	DESCRIPTION DATE APPROVED
REVISIONS	
LightMachinery Inc.	
LASER OUTLINE AND INSTALLATION	
DATE: 09-29-09	SCALE: 4:1
REV: D	WEIGHT
SHEET 1 OF 1	

THIS DESIGN AND PRINT IS THE PROPERTY OF LIGHTMACHINERY INC. AND SHALL NOT BE REPRODUCED, COPIED, OR USED AS THE BASIS FOR THE MANUFACTURE OR SALE OF APPARATUS WITHOUT THE PERMISSION OF LIGHTMACHINERY INC.